

# Product Specification Sheet

## DS-SERIES

### DIRECT DRIVE JACKSHAFT OPERATOR FOR NON-COUNTERBALANCED SECTIONAL OR ROLLING DOORS

#### STANDARD FEATURES

- **Motor:**  
Inverter-duty rated, brake motor, 3-phase, totally enclosed (TENV), IP-55.
- **Reduction:**  
High-end helical bevel gear reduction.
- **Brake:**  
Electromagnetic disc brake (integrated in motor). Manual brake release.
- **Manual Operation:**  
Hoist-a-Matic® self-engaging hoist (floor level engagement device is not required to operate) for manual chain operation<sup>(1)</sup>. An external interlock automatically disconnects power to the motor operator when chain hoist is engaged. Chain hoist centrally located; can be oriented on right or left upon request.
- **Limit System:**  
NEMA 4/12 enclosure. Rotary-type oil-impregnated steel cams, commercial grade switches. Remains synchronized during manual operation or when the motor has been removed.
- **Accu-cam® Feature:**  
Precise and quick one-handed adjustment of the limits.
- **Environmental Protection:**  
NEMA 4/12 limit enclosure. TEFC electrical motor IP-55.
- **Mounting:**  
Direct-mount hollow shaft. The installation mounting location (on right or left of the door) and door shaft diameter must be specified when ordering. Installation on right is shown in this document. Torque arm included.
- **Temperature Range:**  
Working temperature between 0°C to 40°C (32°F to 104°F).  
**Note:** without optional low temperature upgrade.
- **Shipping Weight:**  
Approx. 120 Lbs - 54.4 Kg (2 HP model).
- **Warranty:**  
2 years.

#### Motor Powered by a Variable Frequency Drive

#### High-End Direct Drive Operator

High performance helical bevel gear reduction

#### Hoist-a-matic®

Self-engaging chain hoist with automatic cut-off

#### Accu-cam® Limit Feature

For precise and quick one-hand limit setting adjustments



**The DS-Series operator is specifically designed for applications where optimized performance, reliability, speed and lifespan are required.**

**The operator features a high-efficiency helical bevel gear reduction for intensive use and includes a premium brake motor with a variable frequency drive. Control panel sold separately.**

**Operator intended for use on non-counterbalanced sectional or rolling doors.**

<sup>(1)</sup> The hoist is designed for light and limited use in the event of troubleshooting only.

## CONTROL OPTIONS

- **Separate Industrial Control Panels:**  
Includes variable frequency drive control.  
Logic options and special features available on demand.

## CERTIFICATIONS



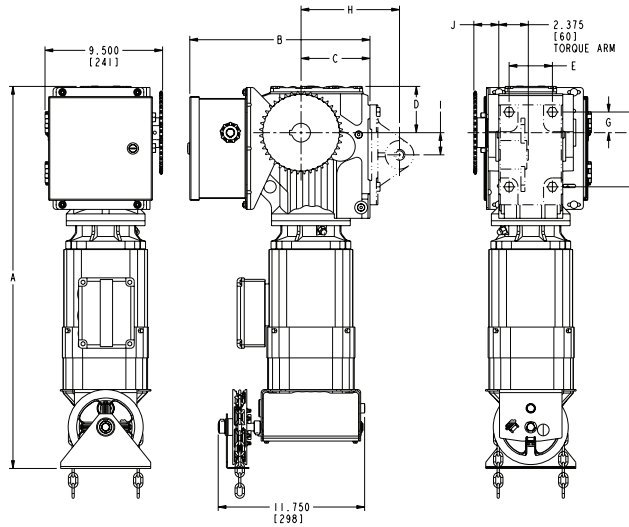
- **Industrial Control Panels:** cCSAus
- **Electrical Motor:** cCSAus, cURus, CE

## MAIN OPTIONS

- **Corrosive Environment (NEMA 4X) and Hazardous Location (NEMA 7/9 - Div.2) Modifications**
- **Low Temperature Upgrade (synthetic oil, heater in reducer, heater in control panel) for low temperature application -40°C to 0°C (-40°F to 32°F)**
- **High and Low Voltage Plug and Play Cables**

For further specifications or questions, please consult inside sales.

## DIMENSIONS



	KA47 2HP	KA57 3HP	KA67 3HP	KA77 5HP
A	24.125 [613]	30.500 [775]	30.625 [778]	35.000 [889]
B	14.000 [356]	14.375 [365]	14.500 [369]	15.375 [391]
C	4.406 [112]	5.197 [132]	5.512 [140]	7.087 [180]
D	3.031 [77]	3.780 [96]	3.740 [95]	4.331 [110]
E	2.750 [70]	3.465 [88]	3.465 [88]	4.016 [102]
F	5.516 [140]	5.984 [152]	5.984 [152]	6.693 [170]
G	1.578 [40]	1.850 [47]	1.654 [42]	1.890 [48]
H	6.297 [160]	7.463 [192]	7.875 [200]	9.844 [250]
I	1.188 [30]	1.563 [40]	1.781 [45]	2.063 [53]
J	1.813 [46]	1.719 [44]	2.000 [51]	2.906 [74]

## OPERATOR RANGE

HP	Volts	Ph / Hz	Reducer Size	Door Shaft Speed
1	230/480/600	3/60	37	Variable
2	230/480/600	3/60	37, 47, 57	Variable
3	230/480/600	3/60	47, 57, 67	Variable
5	230/480/600	3/60	67, 77	Variable
7.5	230/480/600	3/60	77, 87	Variable

**Note:** 380V 50Hz also available.

General Guidelines

Manaras-Opera DS-Series 2021.06.16 Rev 0 - Printed in Canada



MEMBER OF THE CANIMEX GROUP

Manaras-Opera reserves the right to make specification or design changes without prior notice.  
©2021 9141-0720 Québec Inc. All rights reserved. Reg. T.M. of 9141-0720 Québec Inc.

**800-361-2260**  
info@manaras.com  
www.manaras.com