

Product Specification Sheet



MGSL

SLIDING DOOR OPERATOR

STANDARD FEATURES

• **Motor:**

60Hz high starting torque, continuous-duty industrial type, single phase capacitor start or 3 phase motor, open drip proof, protected against overload. Also available with 50Hz 220V 1 phase and 380V 3 phase motor, consult inside sales.

• **Reduction:**

40:1 worm gear in oil bath reducer with air breather and sealed ball bearings. Additional step by #41 chain and sprockets. Output shaft is 1", supported by ball bearings. Output shaft speed: 100 rpm for a door travel of 10"/s (1/2 and 3/4HP), 66 rpm for a door travel of 6"/s (1 and 1.5HP).

• **Drive and Trolley Assembly:**

#41 full roller chain drive. Dual, 12 gauge, pre-drilled galvanized tracks provided for doors up to 12Ft in width standard. Additional track lengths are available (total max. single door width acceptable for the operator limit system is 40Ft, 80Ft for a bi-parting door). Track spacers 3/4" steel shaft. Trolley made of cast aluminum alloy with chain tension adjustment device.

• **Clutch:**

Friction type, integrated in reducer, easily adjustable from outside.

• **Brake:**

Electrically activated drum-band type solenoid brake.

• **Manual Operation:**

Quick release disconnect arm for manual sliding operation.

• **Electrical Enclosure:**

All electrical components are in a Nema 1 enclosure. Simple slide-off cover.

• **Limit System:**

Rotary-type oil-impregnated steel cams, commercial grade switches. Limit shaft is supported by self-lubricating bronze bushings for increased precision. Remains in time when there is a manual operation or after the motor has been removed.

• **Accu-cam® Feature:**

Precise and quick one-handed adjustment of the limits.

• **Corrosion Protection:**

Reducer, control enclosure and frames protected by baked on, long lasting enamel finish.

• **Mounting:**

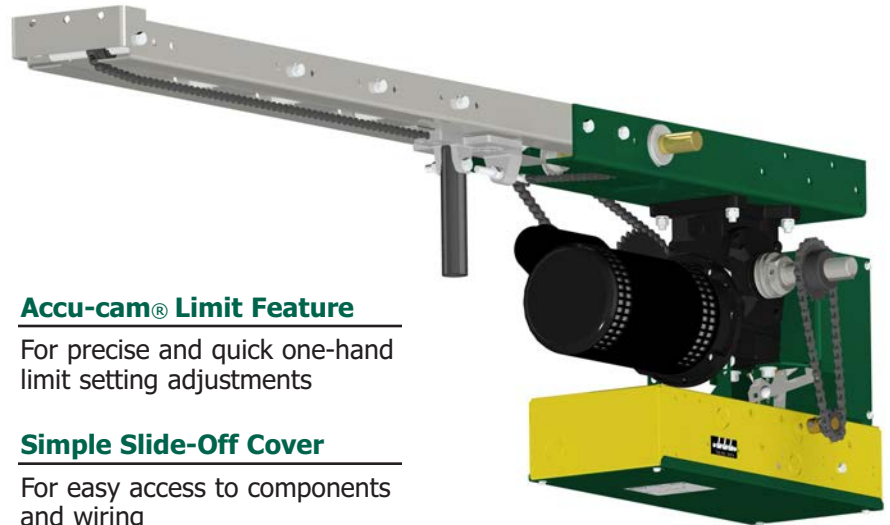
Can be mounted on the right or on the left of a single or bi-parting sliding door. Specific versions available for each mounting scenario, contact inside sales.

• **Shipping Weight:**

Approx. 137 Lbs - 62 Kg. + tracks.

• **Warranty:**

2 Years.



Accu-cam® Limit Feature

For precise and quick one-hand limit setting adjustments

Simple Slide-Off Cover

For easy access to components and wiring

Quick Release Disconnect

For emergency manual sliding operation

Solenoid Brake

Drum-band type solenoid brake

The MGSL is a very heavy-duty worm gear industrial operator designed for use on industrial single and bi-parting sliding doors.

It features a high starting torque continuous-duty industrial type motor, the Accu-cam® precise and quick limit adjustment feature, a drum-band type solenoid brake, and quick release disconnect arm for manual operation.

The operator is available with the new Electronic Control Board (BOARD 070) with or without the option of electrical control for MONITORED external entrapment protection devices (UL325-2010 compliant).



When you think
Commercial Door OPERATORS,
just think OPERA.

800-361-2260
info@manaras.com
www.manaras.com

CONTROL OPTIONS

• ECB Units (BOARD 070):

24Vdc relaying circuit with a 40VA class II transformer, non-volatile memory. Features available: On-board radio receiver, 1.5s delay on reverse, programmable maximum run timer, mid-stop, timer to close (suspension possible from floor level), independent input loop terminal, advance close system, test buttons, reverse wiring detection and door lock sensor.

Operating mode selectable on site: C2, B2, D1, E2, T or TS.

• "M" Version:

Provides the monitoring of Primary External Entrapment Protection Devices. Includes monitored photo cells (PHOTO 070 standard). In this mode, Ancillary Entrapment Protection Devices (optional) may be used to supplement primary entrapment protection, such as non-monitored photo cells, 2-wire non-monitored sensing edges and pneumatic sensing edges. Certifications: CSA C22.2-247.92 and UL325.

• "E" Version:

No monitoring function. Certifications: CSA C22.2-247.92 and compliant to UL325 5th Ed. PRIOR to August 2010 revision.

• Contactor Units:

24Vac control circuit, 40VA class II transformer, fuse protected on output, heavy-duty across-the-line linear reversing contactor with mechanical interlock.

• B2/C2 Units:

C2 wiring is standard. B2 can be set very easily by moving one wire. Available options: delay on reverse, timer to close, double limits, etc...

Certifications: CSA C22.2-247.92 and compliant to UL325 5th Ed. PRIOR to August 2010 revision.

Note: CSA C22.2-247.92 and UL325 apply to units intended to be used in ordinary locations in accordance with the Canadian Electrical Code, Part I and the National Electrical Code, NFPA 70, respectively.

MAIN OPTIONS

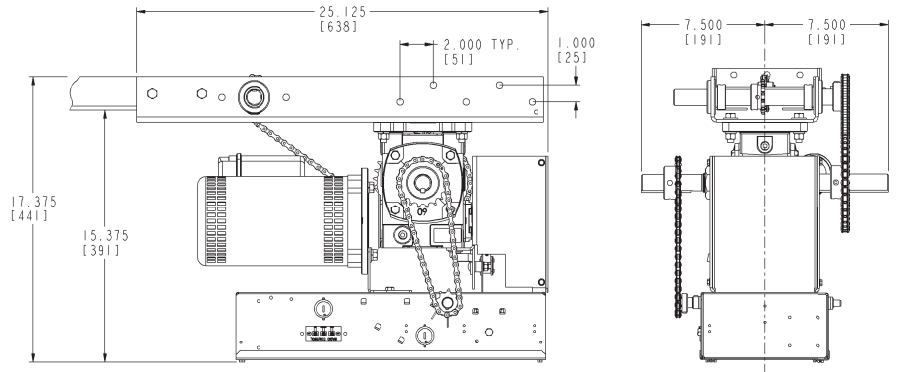
• Control Accessories:

Terminal strip allows for the connection of 3-button stations (one supplied with the operator), non-monitored sensing edges, non-monitored photo cells, one push-button radio control (external strip), ceiling pull switches, key switches, loop detectors, external interlocks, universal auxiliary output module. 2A fuse protected 24Vac output is available for accessory power supply. NEMA 4/12 or NEMA 4X protected monitored photo cells upgrade available.

• Environmental Modifications:

NEMA 4/12, NEMA 4X and NEMA 7/9 enclosures.

DIMENSIONS



MOTOR SELECTION

Consult inside sales.

OPERATOR RANGE

Current Consumption (Amp.)

Horse Power	120V 1 Ph	240V 1 Ph	208/ 240V 3 Ph	480V 3 Ph	600V 3 Ph
1/2	9.0	4.5	2.2	1.1	-
3/4	11.2	5.6	3.2	1.5	1.2
1	13.6	6.8	3.7	1.7	1.4
1-1/2	19.6	9.8	5.3	2.5	2.0

General Guideline

