

Product Specification Sheet



OPERA-GH-DR

JACKSHAFT OPERATOR WITH
SEPARATE CONTROL PANEL FOR SEMI-FAST DOORS

STANDARD FEATURES

- **Electrical Supply:**
120V 60Hz nominal, mono-phase.
- **Motor:**
60Hz high starting torque, continuous-duty, 3 phase switchless motor, open drip proof, protected against overload.
- **Reduction:**
45:1 worm gear in oil bath reducer with air breather and sealed ball bearings. Output shaft is 1" with 1/4" keyway up to 1HP, 1-1/4" output shaft with 1/4" keyway above 1HP. Output shaft speed: 38 rpm standard.
- **Drive:**
#50 roller chain with sprockets selected for 12"/sec or 18"/sec door travel.
- **Brake:**
Electrically activated drum-band type solenoid brake.
- **Manual Operation:**
Hoist-a-matic® self-engaging hoist (floor level engagement device is not required to operate), for manual chain operation. An electrical interlock automatically disconnects power to the motor operator when chain hoist is engaged. Hand chain on right is standard, but it can be easily moved to the left in the field.
- **Electrical Enclosure:**
All electrical components are in a Nema 1 enclosure. Hinged electrical enclosure cover.
- **Limit System:**
Rotary-type oil-impregnated steel cams, commercial grade switches. Limit shaft is supported by self-lubricating bronze bushings for increased precision. Remains in time when there is a manual operation or after the motor has been removed.
- **Accu-cam® Feature:**
Precise and quick one-handed adjustment of the limits.
- **Corrosion Protection:**
Reducer, control enclosure and frames protected by baked on, long lasting enamel finish. Polymer control box cover.
- **Mounting:**
Wall mounted, vertical front of hood mounted or horizontal top of hood mounted, on the right or the left of the door. The use of a wall mounting bracket is recommended. Separate control panel ready for wall mounting.
- **Shipping Weight:**
Approx. 122 Lbs - 55 Kg (operator) + panel.
- **Warranty:**
2 Years.

Adjustable Soft-Start and Soft-Stop

Improves the longevity of the complete door system

Separate Control Panel

Control board and speed managing device

120V Single Phase Input/ 208V Three Phase Switchless Motor

Hoist-a-matic®

Self-engaging chain hoist with automatic cut-off

Accu-cam® Limit Feature

For precise and quick one-hand limit setting adjustments



The Opera-GH-DR is a heavy-duty worm gear industrial operator designed for use on industrial, high and vertical lift sectional doors or rolling doors and grilles.

The operator manages Soft-Starts and Soft-Stops for improved longevity of the complete door system and allows for a faster door speed at the same horsepower.

The operator can be wall, hood, or shelf mounted on either side of the door. It incorporates the patented Hoist-a-matic®, a self-engaging chain hoist for manual operation, which simplifies operation and installation.

A separate control panel is provided, which includes a speed managing device and a Manaras-Opera Electronic Control Board.



When you think
Commercial Door OPERATORS,
just think OPERA.

800-361-2260
info@manaras.com
www.manaras.com

OPERATOR CONTROL

• Electronic Control Board:



40VA class II transformer and non-volatile memory. Programmable speed control device. Features available: 1.5s delay on reverse, programmable maximum run timer, mid-stop, timer to close, advance close system, test buttons, reverse wiring detection and door lock sensor. Operating mode selectable on site: C2, B2, D1, E2, T or TS.

Certifications: CSA C22.2/0,0.4,14,94 and UL 50,508,508A.

Note: CSA C22.2-247.92 and UL325 apply to units intended to be used in ordinary locations in accordance with the Canadian Electrical Code, Part I and the National Electrical Code, NFPA 70, respectively.

MAIN OPTIONS

• Control Accessories:

Separate control panel terminal strip allows for the connection of 3-button stations (one supplied with the operator), non-monitored sensing edges, non-monitored photo cells, one push-button radio control (external strip), ceiling pull switches, key switches, loop detectors, external interlocks, plug-in radio card and universal auxiliary output module. 2A fuse protected 24VAc output is available for accessory power supply.

• Environmental Modifications:

Former GH model available for NEMA 4/12 and NEMA 4X operator enclosures, consult inside sales.

• Friction Clutch (Optional):

Easily adjustable slip clutch, ideally positioned on output shaft. Recommended for sectional doors.

• Mechanical Accessories:

Wall mounting bracket, chain spreader, hand crank, etc...consult inside sales.

• Mechanical Modifications:

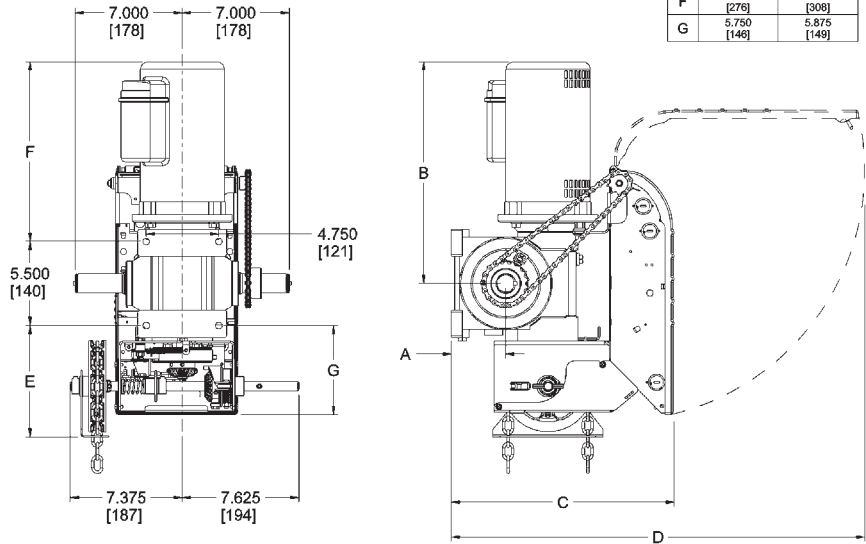
Left hand chain hoist, #60 roller chain and sprocket on final drive, etc...consult inside sales.

DIMENSIONS

Clearance: Side room required 15" (380 mm)
With friction clutch add: 1.5" (38 mm)

Separate Panel: 1/2 HP - 12" x 10" x 5"
(Trade size) 1 HP - 16" x 12" x 6"

	UP TO 1 HP	1.5 & 2 HP
A	3,000 [761]	3,500 [891]
B	13,625 MAX. [346]	14,875 MAX. [378]
C	14,000 [356]	14,625 [371]
D	26,500 [673]	27,125 [689]
E	7,250 [184]	7,375 [187]
F	10,875 MAX. [276]	12,125 MAX. [308]
G	5,750 [146]	5,875 [149]



MOTOR SELECTION

Maximum Size of Door in Square Feet

Horse Power	Rolling Doors					Sectional Doors				
	Insulated Steel	16 ga. Steel	Steel Grilles 20 ga. Steel	Alu. Door 22 ga. Steel	Alu. Grilles 24 ga. Steel	Steel 18 ga. ins.	Steel 18 ga. 20 ga. ins.	Wood Steel 20 ga. 22 & 24 ga. ins.	Aluminum Steel 22 & 24 ga.	Fiber Glass
1/2	157	236	260	319	358	196	245	314	343	392
1	255	358	446	574	613	294	392	490	564	613

General Guideline

OPERATOR RANGE

Current Consumption (Amp.)

Horse Power	120V 1 Ph	240V 1Ph	208/240V 3 Ph	480V 3 Ph	600V 3 Ph
1/2	8.6	4.1	2.2	1.1	-
1	13.4	6.7	3.4	1.7	1.4

General Guideline

