

Standard Features

■ Motor

1/2 HP, 120V single-phase, intermittent-duty, open type motor with instant reverse and internal automatic reset thermal overload protection (60Hz). Removable without affecting limit switch settings.

■ Reduction

First step in reduction 4L/A V-belt drive, additional step by #48 (#410) chain and sprockets. Input shaft is 5/8", supported by ball bearings. Output shaft is 1", supported by ball bearings. Output shaft speed: 112 rpm for a door travel of 11"/s.

■ Drive and Trolley Assembly

#48 (#410) full roller chain drive. Dual, 12 gauge, pre-drilled galvanized tracks provided for doors up to 12ft. in height standard. Additional track lengths are available (max. door height acceptable for operator limit system is 14ft.). Track spacers 3/4" steel shaft. Trolley made of cast aluminum alloy including a chain tension adjustment device.

■ Clutch

Friction type, positioned on input shaft, easily adjustable from outside.

■ Brake (Optional)

Electrically activated drum-band type solenoid brake. Consult inside sales.

■ Manual Operation

Quick release disconnect arm for manual door operation.

■ Electrical Enclosure

All electrical components are in a Nema 1 enclosure. Hinged electrical enclosure cover.

■ Limit System

Rotary-type oil-impregnated steel cams, commercial grade switches. Limit shaft is supported by self-lubricating bronze bushings for increased precision. Remains in time when there is a manual operation or after the motor has been removed.

■ Accu-cam® Feature

Precise and quick one-handed adjustment of the limits.

■ Corrosion Protection

Frame and control enclosure protected by baked on, long lasting enamel finish. All shafts protected by yellow chromate coating.

■ Mounting (Low Headroom Design)

Ceiling-mounted with only 6.125" headroom clearance required below the tracks. For indoor use only.

■ Shipping Weight

Approx. 60 lb - 27 kg + tracks.

■ Warranty

2 years.



Low Headroom Design

Requires only 6.125" of headroom clearance below the tracks

Accu-cam® Limit Feature

For precise and quick one-hand limit setting adjustments

Hinged Cover

For easy access to components and wiring

Instant Reverse Motor

With internal automatic reset thermal overload protection

Quick Release Disconnect Arm

For manual door operation

The OMT is a medium-duty trolley operator designed for use on smaller and low-cycling industrial standard lift sectional doors.

It features a high starting torque intermittent-duty industrial type motor and a quick release disconnect arm.

The operator is offered with the Electronic Control Board (BOARD 070) and MONITORED external entrapment protection devices (ANSI/CAN/UL325 compliant).

Control Options

■ ECB Units (BOARD 070)

24Vdc relaying circuit with a 40VA class II transformer, non-volatile memory. Features available: On-board radio receiver, 1.5s delay on reverse, programmable maximum run timer, mid-stop, timer to close (suspension possible from floor level), built-in cycle-counter, independent input loop terminal, advance close system, test buttons, reverse wiring detection and door lock sensor. Operating mode selectable on site: C2, B2, D1, E2, T or TS.

■ "M" Version



Provides the monitoring of Primary External Entrapment Protection Devices. Includes monitored photoelectric cells (PHOTO 070 standard). In this mode, Ancillary Entrapment Protection Devices (optional) may be used to supplement primary entrapment protection, such as non-monitored photoelectric cells, 2-wire non-monitored sensing edges and pneumatic sensing edges. Certifications: ANSI/CAN/UL 325.

Note: ANSI/CAN/UL 325 apply to units intended to be used in ordinary locations in accordance with the Canadian Electrical Code, Part I and the National Electrical Code, NFPA 70, respectively.

Main Options

■ Control Accessories

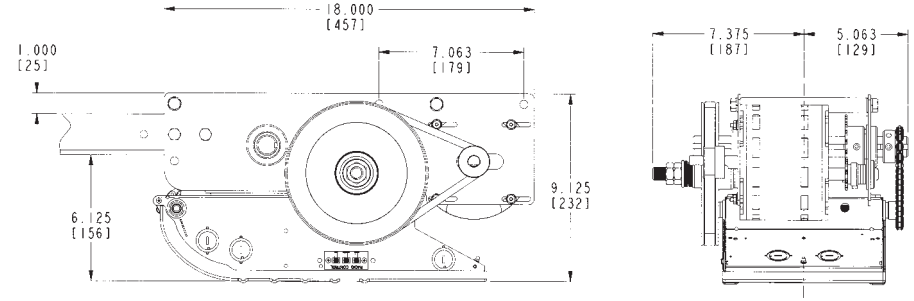
Angled terminal strip allows for the connection of 3-button stations (one supplied with the operator), non-monitored sensing edges / photoelectric cells / light curtains, external radio receiver, ceiling pull switches, key switches, loop detectors, LED strips, external interlocks, universal auxiliary output module. Optional Manaras Internet Control™ (MIC) available. 2A fuse protected 24Vac output is available for accessory power supply. Nema 4/12 or Nema 4X protected monitored photoelectric cells upgrade available.

■ Mechanical Accessories

Trolley hoist, very heavy-duty front idler, drum-band brake solenoid etc. Consult inside sales.

Dimensions

Maximum Door Height: 14' (4260 mm)
 Back Door: Door height + 3'11" (1175 mm)
 Head Room For Tracks: 5" (127 mm) above the highest point of door travel



Motor Selection

Maximum Size of Door in Square Feet

Horse Power	Sectional Doors					General Guideline
	Steel 18 ga. ins.	Steel 18 ga. 20 ga. ins.	Wood Steel 20 ga. 22 & 24 ga. ins.	Aluminum Steel 22 & 24 ga.	Fiberglass	
1/2	120	160	250	575	290	

Operator Range

Current Consumption (Amp.)

Horse Power	120V 1 Ph	General Guideline
1/2	6.0	

Manaras-Opera reserves the right to make specifications or design changes without prior notice.

©2024 9141-0720 Québec Inc. All rights reserved. Reg. T.M. of 9141-0720 Québec Inc. UL logo is a Reg. T.M. of UL LLC. | CSA logo is a Reg. T.M. of CSA Group.

136, av. Oneida,
 Pointe-Claire (Québec)
 Canada H9R 1A8

1-800-361-2260
 manaras.com

