

Product Specification Sheet



SILENCIO™ RTBH-A.06

SILENT APT. STYLE TROLLEY OPERATOR FOR FAST STANDARD LIFT SECTIONAL DOORS

STANDARD FEATURES

- **Electrical Supply:**
Single-phase powered operator.
- **Motor:**
60Hz high starting torque, continuous-duty, switchless motor, totally enclosed (TEFC or TENV), resilient mounting, protected against overload.
- **Speed Managing Features:**
Speed managing device provides enhanced performance and speed, with soft-start and soft-stop capabilities.
- **Reduction:**
First step in reduction Ax section cogged V-belt drive, additional step by #41 chain and sprockets. Input shaft is 5/8", supported by cast iron flanged pillow block bearings. Output shaft is 1", supported by cast iron flanged pillow block bearings. Offers an opening door travel of 9"/sec and 6"/sec while closing.
- **Drive and Trolley Assembly:**
#41 roller chain drive. Dual, 12 gauge, pre-drilled galvanized tracks provided for doors up to 12ft. in height standard. Additional track lengths are available (max. door height acceptable for the operator limit system is 30ft.). Track spacers 3/4" sleeved steel shaft track spacers. Trolley made of cast aluminum alloy with chain tension adjustment device.
- **Clutch:**
Friction type, positioned on input shaft, easily adjustable from outside.
- **Brake:**
Electrically activated drum-band type solenoid brake. Low vibration breaking system provides positional stability and noise reduction.
- **Manual Operation:**
Quick release disconnect arm for manual push-up operation.
- **Electrical Enclosure:**
All electrical components are in a Nema 1 enclosure. Hinged electrical enclosure cover.
- **Limit System:**
Rotary-type oil-impregnated steel cams, commercial grade switches. Limit shaft is supported by self-lubricating bronze bushings for increased precision. Remains in time when there is a manual operation or after the motor has been removed.
- **Accu-cam® Features:**
Precise and quick one-handed adjustment of the limits.
- **Non-Resettable Cycle Counter:**
6-digit electro-mechanical counter, mounted inside the control box, counts each complete door cycle providing valuable data for maintenance scheduling.
- **Corrosion Protection:**
Frame and control enclosure protected by baked on, long lasting enamel finish. All shafts protected by yellow chromate coating.
- **Mounting:**
Ceiling-mounted with 8.69" headroom clearance required below the tracks. Anti-vibration mount design.
- **Temperature Range:**
Working temperature between 0°C to 40°C (32°F to 104°F).
- **Shipping Weight:**
Approx. 73 Lbs - 33 Kg + tracks.
- **Warranty**
2 Years.



Manages Soft-Starts and Soft-Stops

Improves the longevity of the complete door system

Speed Managing Device

Enhancing performance

Single Phase Input Power / Switchless Motor

Noise Reduction Features

Includes several integrated vibration absorbing enhancement features

Low Vibration Braking System

Solenoid anti-vibration mounting provides positional stability and noise reduction

High Cycle Design

For usage on doors with high-cycling frequency requirements

The Silencio™ RTBH-A.06 is a heavy-duty apartment type garage door operator designed for use on properly counter-balanced industrial standard lift sectional doors which possess high-cycling daily frequency requirements.¹

The RTBH-A.06 smoothly manages Soft-Starts and Soft-Stops, therefore reducing the wear and tear of the complete door system. It also incorporates a drum-band type solenoid brake, a low vibration braking system, as well as other integrated enhancement features which reduce the noise emissions by a magnitude of 4*.

The Manaras-Opera control is based on its legendary Electronic Control Board which delivers high performance and reliability while providing on-board control plus speed managing features.



When you think
Commercial Door OPERATORS,
just think OPERA.

800-361-2260
info@manaras.com
www.manaras.com

CONTROL OPTIONS

• ECB Units (BOARD 070):

24Vdc relaying circuit with a 40VA class II transformer, non-volatile memory. Features available: On-board radio receiver, 1.5s delay on reverse, programmable maximum run timer, mid-stop, timer to close (suspension possible from floor level), independent input loop terminal, advance close system, test buttons, reverse wiring detection and door lock sensor. Operating mode selectable on site: C2, B2, D1, E2, T or TS.

• "M" Version:

Provides the monitoring of Primary External Entrapment Protection Devices. Includes monitored Nema 4X photo cells (PHOTO 061 standard). In this mode, Ancillary Entrapment Protection Devices (optional) may be used to supplement primary entrapment protection, such as non-monitored photo cells, 2-wire non-monitored sensing edges and pneumatic sensing edges. Certifications: ANSI / CAN / UL 325:2017.

Note: CSA C22.2-247.92 and UL325 apply to units intended to be used in ordinary locations in accordance with the Canadian Electrical Code, Part I and the National Electrical Code, NFPA 70, respectively.

MAIN OPTIONS

• Control Accessories:

Angled terminal strip allows for the connection of 3-button stations (one supplied with the operator), non-monitored sensing edges, non-monitored photo cells, one push-button radio control (external strip), ceiling pull switches, key switches, loop detectors, external interlocks, universal auxiliary output module. 2A fuse protected 24VAC output is available for accessory power supply.

• Control Modifications:

Alternate control available with separate control panel, optional separate brake resistor, transformer panel 480V to 240V/600V to 240V etc... consult inside sales.

• Mechanical Modifications:

Dual trolley drive, trolley hoist, very heavy-duty front idler, minimum depth mounting, etc...consult inside sales.

• Electrical Modifications:

Warning light wiring, contactor-ecb driven, etc...consult inside sales.

• Environmental Modifications:

Available for Nema 4/12 type applications with separate control panel, nickel plated chain, birds nest protection, etc... consult inside sales.

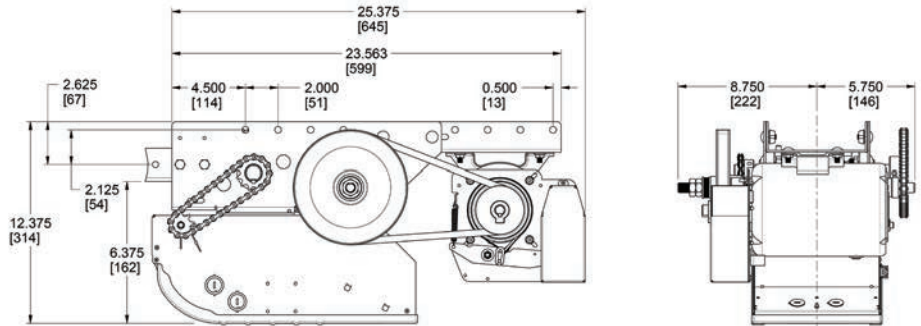
SUGGESTED APPLICATIONS

- Apartment Complexes / Office Buildings
- First Responder / Emergency Vehicle Facilities
- Automotive Dealerships / Transportation Facilities
- Airports / Military Facilities
- Energy Management / Energy Efficient / LEED Buildings

DIMENSIONS

Back Room: Door height + 4'5" (1350mm)

Head Room For Tracks: 5.625" (143mm) above the highest point of door travel



OPERATOR RANGE

Current Consumption (Amp.)

Horse Power	120V 1 Ph	208V 1Ph	240V 1 Ph
1	16.7	7.0	8.0

General Guideline

¹ For doors weighing above 750 Lbs, the system requires a brake resistor (\$).

** For additional specifications and in order to optimize the operator's performance, please contact our inside sales department for assistance in selecting the appropriate hardware kit for your application. **

* This model is 4X quieter than our Premium Trolley Apartment model OTBH-A.05.

