

Product Specification Sheet

TRAFFIC 046B / 047B

RED & GREEN LED TRAFFIC LIGHT
STOP & GO DOCK LIGHT
BLACK CASING

STANDARD FEATURES

- Red and green LED traffic or dock light.
- Safety black casing.
- Power supply: 120VAC (TRAFFIC046B) / 24VDC (TRAFFIC047B).
- Current consumption: 30mA (TRAFFIC046B) / 70mA (TRAFFIC047B).
- Single units that can stand alone or can be connected to auxiliary safety systems.
- AC / DC input voltage providing constant LED brightness and maximal LED life.
- Includes low profile sun visors and ultra-bright LEDs for easy viewing in direct sunlight, meeting architectural requirements.
- LED Lens Diameter: 3.75".
- Dimensions: 5" x 10" x 2.5".
- Easy wall mounting.
- Includes two knockouts for simple conduit connection.
- Weather-proof 2-piece housing with highest available UV rating.
- Designed, manufactured and assembled in Canada.
- 3 Year limited LED defect warranty.
- Includes: traffic light.

OPTIONS

- TRAFFIC046A 120VAC / Yellow Casing
- TRAFFIC046B 120VAC / Black Casing
- TRAFFIC047A 24VDC / Yellow Casing
- TRAFFIC047B 24VDC / Black Casing



COMMON APPLICATIONS

- Loading Docks.
- Car Washes.
- Parking Lots and Garages.
- Drive Thru Windows.
- Controlled Access Entrances.

Stop and Go lights increase safety by providing a visual communication anywhere a go or no-go signal is required. The system alerts the doorway's clearance status to truck drivers and loading dock personnel and indicates when loading and unloading may proceed.

Product Specification Sheet

TRAFFIC 046B / 047B

RED & GREEN LED TRAFFIC LIGHT
STOP & GO DOCK LIGHT
BLACK CASING

COMPONENTS AND SPECIFICATIONS

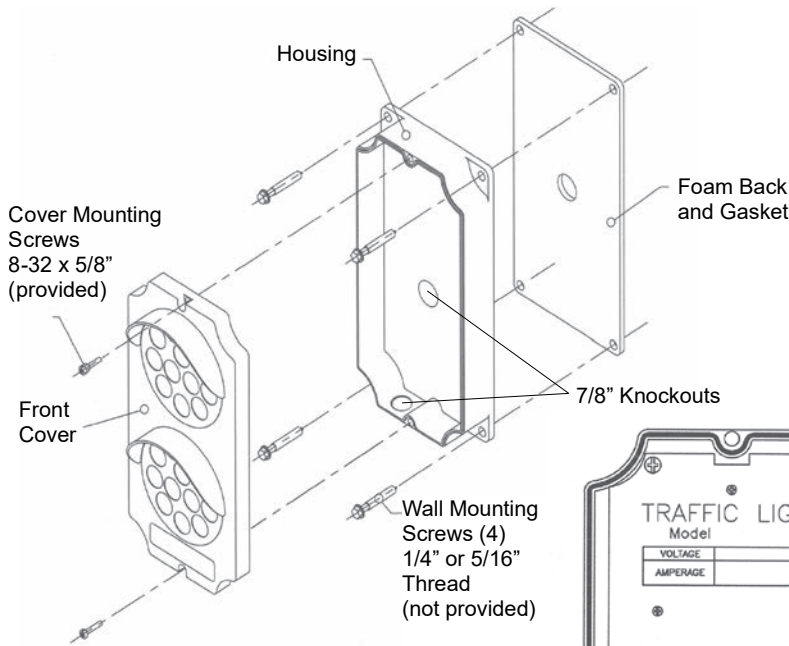


Figure 1: Exploded View

Part #	Color	Input Voltage
TRAFFIC046A	Yellow	120 VAC
TRAFFIC046B	Black	
TRAFFIC047A	Yellow	10-32 VAC/DC
TRAFFIC047B	Black	

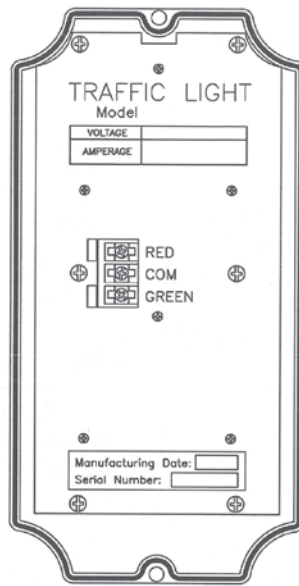


Figure 2: Housing (Back view)

Amperage Consumption
140 mA at 12 VAC/DC
70 mA at 24 VAC/DC
30 mA at 120 VAC

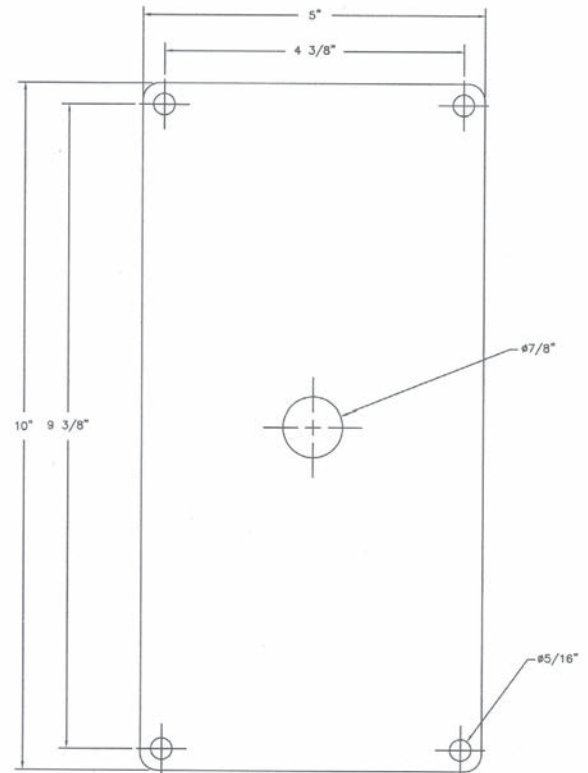


Figure 3: Mounting Hole Dimensions and Positioning

Manaras-Opera SS TRAFFIC046B_047B 2021.03.25 Rev 0 - Printed in Canada