

WARNING

To reduce risk of SEVERE INJURY or DEATH to persons:

- All electrical wiring should be permanent and should be done by a qualified professional and in accordance to local electrical codes.
- Always shut OFF the main power before performing any electrical intervention.
- Use proper wire gauge for incoming power line. Use copper conductors only.
- Use cable type CL2, CL2P, CL2R, or CL2X complying with the Standard “UL13 - Power-Limited Circuit Cables” for accessory connections.
- Install operator main circuit breaker next to operator for easy access for power shut-off.
- Use separate knockouts on operator control box for accessories and main power cables.
- Always separate low and high voltage wires.
- Operator should be properly grounded to the building ground and to the main power supply ground lug.
- Always use suitable and appropriate rating circuit breakers for operator protection.
- Compare available power supply voltage to voltage on operator name plate prior to electrical connection. Failure to connect appropriate power supply voltage may cause serious damage to the operator.
- Locate the control station: (a) within sight of the door, and (b) at a minimum height of 5 feet (1,5 m) above floors, landings, steps or any other adjacent walking surface and (c) away from all moving parts of the door.

Power Supply Connection

Single-Phase (115/230V)	Three-Phase (208/230-460-575V)
<p><u>Correct motor rotation:</u> Switch the BLUE and ORANGE motor wires on the contactor.</p>	<p><u>Correct motor rotation:</u> Switch ANY TWO incoming lines (phase) on the power terminal block.</p>

Run Mode Settings

Mode LIVE	Heavy-Duty Models	Operations	Medium-Duty Models (OMT, OMH, OMJ)	Operations
C2		B2 Mode → C2 Mode Move RED wire from terminal #7 → #5.		B2 Mode → C2 Mode Move RED wire from terminal #5 → #10.
B2		C2 Mode → B2 Mode Move RED wire from terminal #5 → #7.		C2 Mode → B2 Mode Move RED wire from terminal #10 → #5.

3 Push-Button Station (3 PBS) Connection

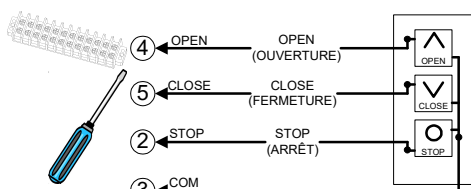


Figure 1 - STATION 020 / 084
3-PBS Open / Close / Stop

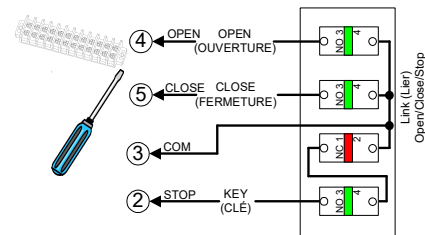


Figure 2 - STATION 079
3-PBS Open / Close / Stop with Key Lock-out

NOTICE

- Manaras-Opera strongly recommends the use of external entrapment protection devices, especially in the case of momentary contact to close (B2 wiring or Timer to Close).
- Photoelectric cells must be installed facing each other across the door's path within 6" (15 cm) of the plane of the door and the beam no more than 5-3/4" (14,6 cm) above the floor.

Non-Monitored Photoelectric Cell Connection

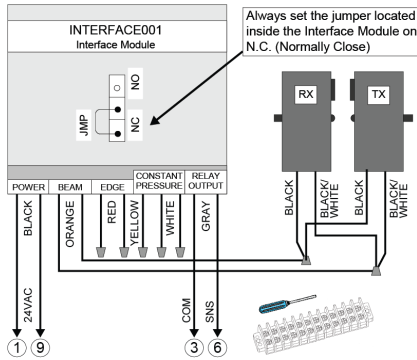


Figure 3 - PHOTO 008C3 / C4 / E1 Connection

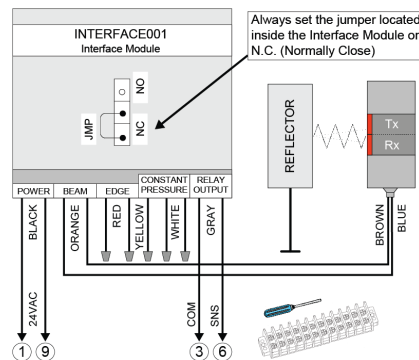


Figure 4 - PHOTO 008D1 / D2 Connection

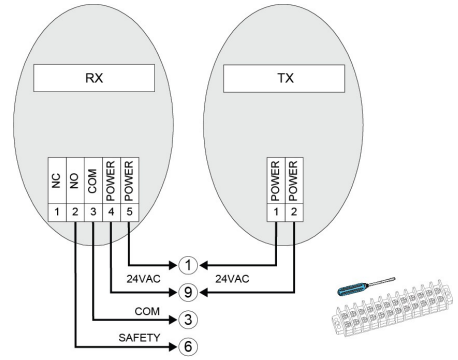


Figure 5 - PHOTO 015 / 016 / 045 / 050 / 051 / 059 Connection

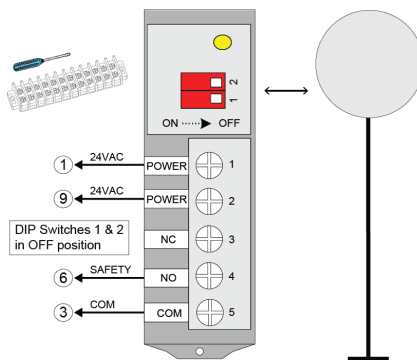


Figure 6 - PHOTO 060 Connection

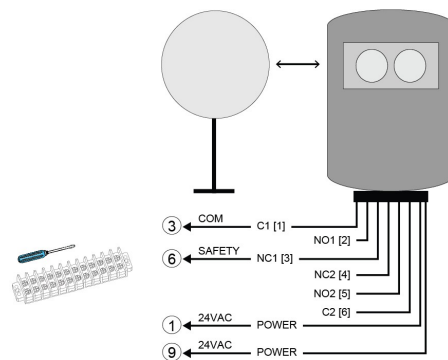


Figure 7 - PHOTO 018 Connection

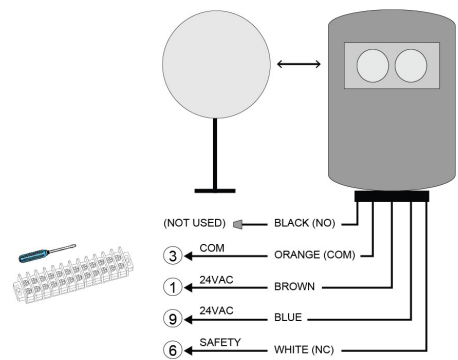


Figure 8 - PHOTO 038 Connection

Non-Monitored Electric Reversing Edge Connection

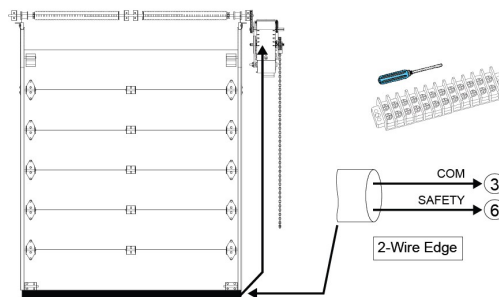


Figure 9 - Electric Reversing Edge Connection

For further information, please consult the operator's Installation & Instruction Manual.