

WARNING

TO REDUCE THE RISK OF SEVERE INJURY OR DEATH TO PERSONS:

1. READ AND FOLLOW ALL INSTALLATION INSTRUCTIONS.
2. Always shut OFF the main power before performing any electrical intervention.
3. Do NOT connect more than one (1) monitored entrapment protection device simultaneously on the MONIT terminals without the use of an interface module.
4. Photoelectric cells and reflector must be installed facing each other across the door's path within 6" (15 cm) of the plane of the door and the beam no more than 5-3/4" (14,6 cm) above the floor.

PHOTO 065 Specifications



Article No.	Components	Description	Specifications
PHOTO 065 Monitored External Entrapment Protection Device Used to safeguard doors according to the requirements of UL325	 Retro-Reflective Photo Cell	<ul style="list-style-type: none"> ◆ Retro-Reflective Photo Cell for use as monitored entrapment protection device. 	<ul style="list-style-type: none"> → Polarized beam for maximum reliability. → Red-light technology improves resiliency to ambient light and infrared sensors. → Retro-Reflective Technology. → Single-sided photo eye design which requires less wires to run and therefore significantly reduced installation time. → No batteries needed. → Nema 4X rated for Harsh Environments. → Heavy-duty housing, increasing it's ability to withstand impact. → Connects to specific MONIT terminal on electronic control board (BOARD 070M). → High range. → Includes L-shape metal mounting brackets and hardware.
	 Reflector	<ul style="list-style-type: none"> ◆ 3" x 2" Reflector 	<ul style="list-style-type: none"> → Includes L-shape metal mounting brackets and hardware.



PHOTO065 - Reflective Photo Cells

Specifications and Installation Instructions

Technical Data

Range	1.6 to 15 m, 5 ft. to 50 ft
Environmental Protection	IP65, NEMA 4X
Operation Temperature	-30 °C to +60 °C, -22 °F to +140 °F
Dimensions	43 x 100 x 45 mm 1.75 x 4 x 1.75 in
Reflector Dimensions	50 x 87 x 15 mm 2 x 3.5 x 0.5 in
Power Consumption	Max. 40 mA
Output	Monitored 2-Wire
Response Time	30 ms
Wake Up Delay	500 ms
Connection Cable	2 m, 6.5 ft Cable, Fine Stranded, Wire Size 0.25 mm ² , AWG 24

Dimension Drawings

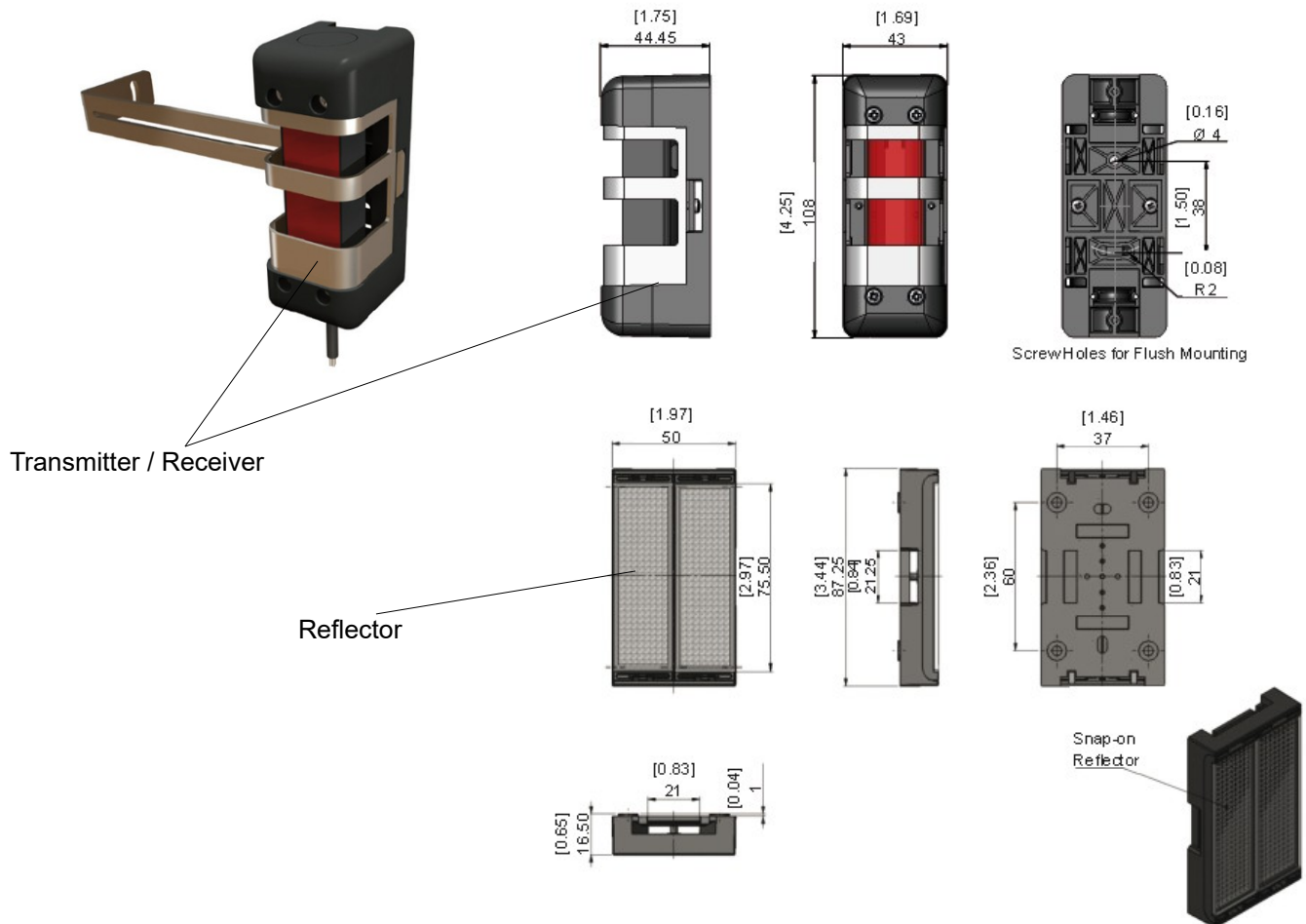
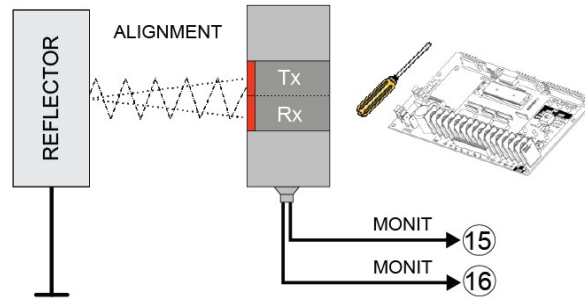


PHOTO065 - Reflective Photo Cells

Specifications and Installation Instructions

Connection to Electronic Control Circuit



Trouble Shooting Tips - On-Board LED Monitoring Status

The electronic control board's LEDs help with wiring and troubleshooting diagnostics. Every LED indicates the status of the door. The electronic control board has a non-volatile memory and the LEDs return to their initial state after a power interruption.


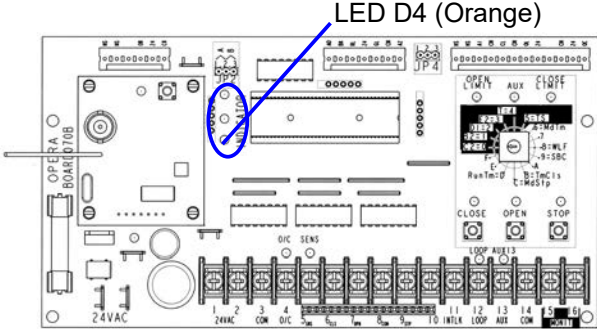




PHOTO065 (Monitored - BOARD070M)	
 LED D4 ON (ORANGE)	Indicates the activation or absence of/or defectiveness of Monitored Photo Electric Cells.
	

Photo Eyes – LED Status Descriptions

Use the LED found on the photoelectric cell for alignment and troubleshooting.

Orange LED	Status / Function
 OFF	Normal operation / Aligned
 ON	Misaligned / Obstructed beam Check power and wiring to photoelectric cell Check if the wires on Terminals #15/#16 are disconnected
 Blinking Fast	Poor alignment / Dirty sensor or dirty reflector
 Blinking Slowly ⁽¹⁾	Poor alignment ⁽¹⁾ To assist with alignment exclusively during the first 2 minutes after power-up

For further information, please consult the operator's Installation & Instruction Manual or contact our Technical Support Department at **1-800-361-2260**.

2X FASTER*



RAPIDO™ TWICE AS FAST

OPEN AND CLOSE YOUR DOOR TWICE AS FAST WITH A RAPIDO OPERATOR FROM MANARAS-OPERA.

The RAPIDO™ features a door speed up to 2 times faster than standard models available to the commercial and industrial door market.

The RAPIDO™ increases the longevity of the complete door system, designed to speed-up industrial standard lift sectional doors while smoothly managing soft-starts and soft-stops.

CHOOSING THE RAPIDO™ IS SIMPLE WHEN TIME AND ENERGY SAVINGS IS A MUST.

On-board control and monitoring of external entrapment protection devices, provide speed managing features and enhanced performance and reliability.

*The RAPIDO™ operator is up to 2X the speed of a standard jackshaft operator.

CALL US FOR MORE INFORMATION: 1-800-361-2260
www.manaras.com