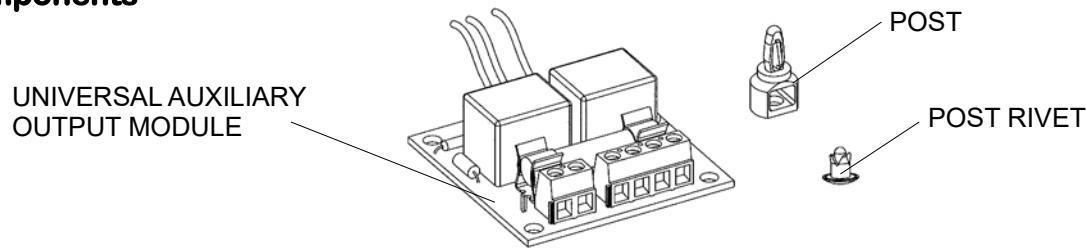


Components



Installation

MODKIT027D1 is compatible with the **Rapido**® product line (RSH/RVH//RMSJ/RGH/RTBH/RSL models).

1. Turn power OFF.
2. Locate the mounting holes inside the control box.
3. Pass the posts through the pre-made holes of the Universal Auxiliary Output Module.
4. Use the post rivets to secure the Universal Auxiliary Output Module inside the control box.
5. Join the RED wire from the Universal Auxiliary Output Module with the RED wire from the TB6 on BOARD070 using the butt splice connector.
6. Join the GREEN wire from the Universal Auxiliary Output Module with the GREEN wire from the TB6 on BOARD070 using the butt splice connector.
7. Join the WHITE wire from the Universal Auxiliary Output Module with the WHITE wire from the TB6 on BOARD070 using the butt splice connector.

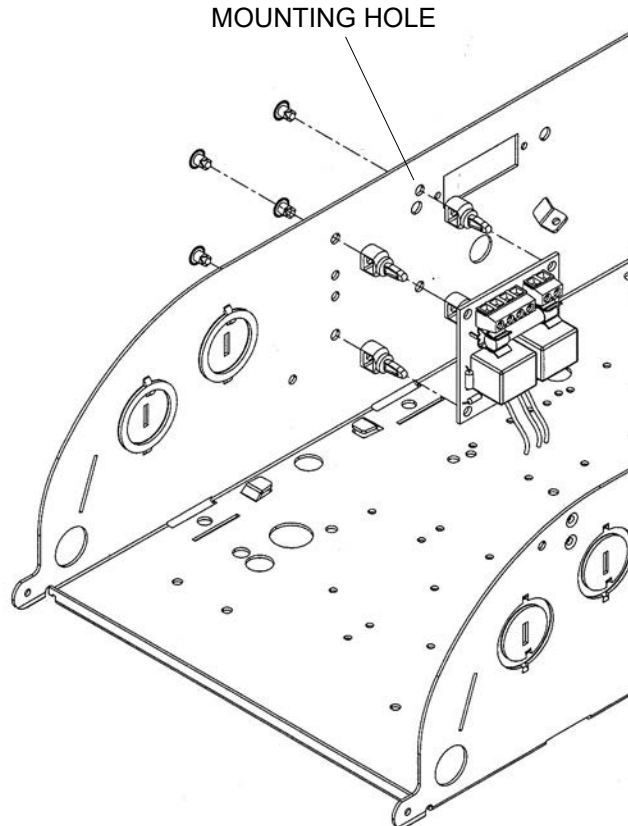


Figure 1 - Control Box Mounting Holes

Wiring Instructions - Warning (Traffic) Lights

1. Determine the type of installation:

For a 24 VAC traffic light (12 VA maximum):

- a) Connect wire on L & N from the Universal Auxiliary Output Module to terminal #1 and #2 on the board.
- b) Connect traffic light as per Figure 2 below.

For a 115 VAC traffic light on a 115 VAC operator:

- c) Connect wire on L & N from the Universal Auxiliary Output Module to terminal L and N on the power board.
- d) Connect traffic light as per Figure 2 below.

For a 115 VAC traffic light on a 230/208/460/575 VAC operator:

An additional transformer is required in order to generate 115 VAC for the traffic light.

- e) Connect wire on L & N from the Universal Auxiliary Output Module to the 115VAC terminal of the additional transformer.
- f) Connect wire to the 230/208/460/575 VAC terminal of the additional transformer to the terminal L and N on the power board.
- g) Connect traffic light as per Figure 2 below.

2. Turn power ON.

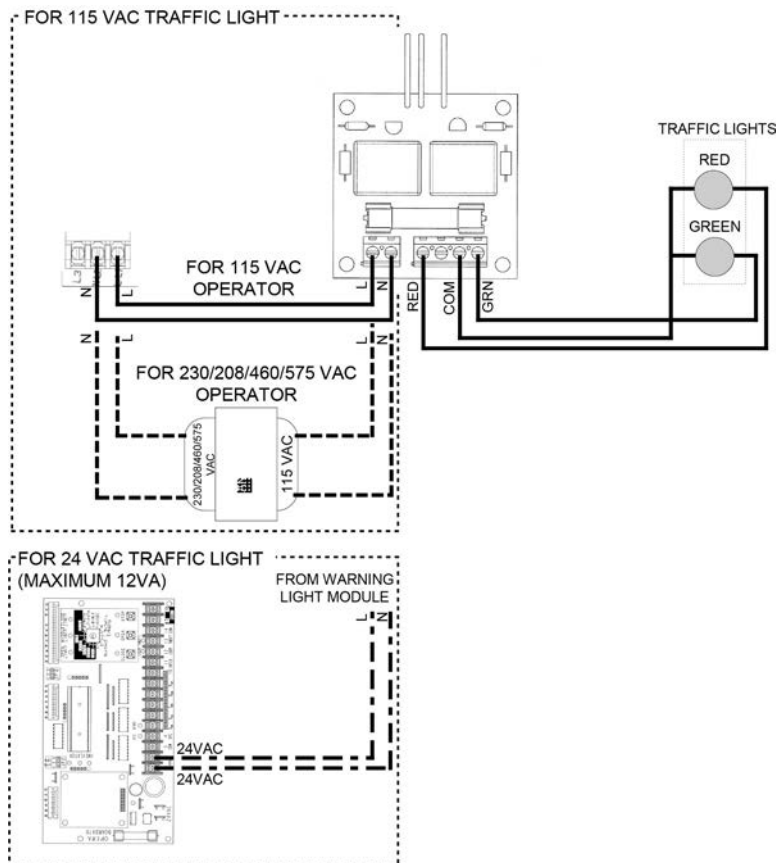


Figure 2 - Traffic Light Wiring Diagram

Wiring Instructions - LED Strips

For a 24 Vdc LED Strip:

- Connect wires L & N on the Universal Auxiliary Output Module to terminals (-) and (+) on the Rectifier respectively (polarized connection).
- Connect AC terminals (~) on the Rectifier to terminals #1 and #2 on the Control Board (non-polarized).
- Connect the LED Strips as per Figure 3 below.
- Turn power ON.

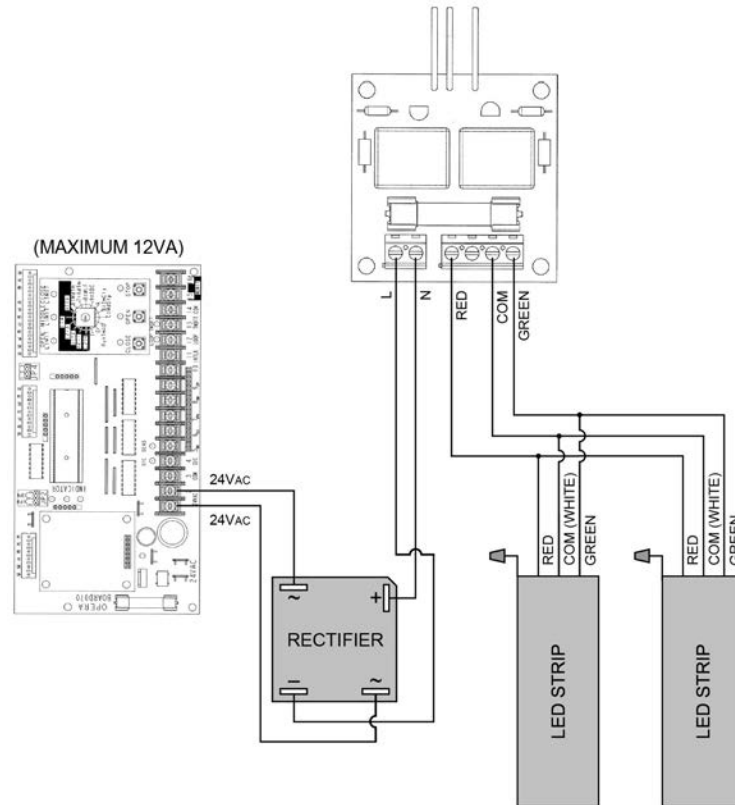


Figure 3 - LED Strip Wiring Diagram

Light Sequences

Red Light

The RED light is ON when the door is closing and opening. Light turns OFF once the door has stopped.

Green Light

The GREEN light is ON when the door is at its fully open or mid-stop positions. It stays ON during a preset time (Timer to Close time *minus* RED Light Flashing time).

Red Light (Flashing)

The RED light starts flashing once the GREEN light is OFF and the door is about to close. The purpose is to warn the users that the door will close shortly. It stops flashing once the door starts closing. The RED light flashes for a factory preset time of 5 sec.

Note: Other configurations/light sequences are available. Please consult our Technical Support Department at **1-800-361-2260** for more information.

Programming

NOTICE

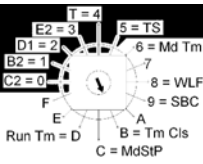
- Always return the door to the **fully closed position** before performing any program settings.

The Universal Auxiliary Output Module is operational in all Run Modes (0 to 5). The RED light which flashes before closing is only activated in the Timer to Close (TTC) Run Modes (4 or 5).

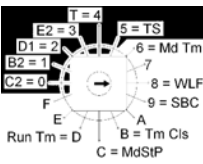
Typical Programming Configurations (others are available)

Timer to Close (TTC)

Timer to Close (T = 4 or TS = 5 Mode), will close the door from the fully opened and mid-stop positions after a factory preset time (5 sec.). The Timer to Close can be programmed in increments of 1 sec. or 15 sec.

TTC Programming	Selector Switch	TTC Deactivation
<ol style="list-style-type: none"> 1. Verify if the close limit switch is activated and if the close limit LED is ON. 2. Set the selector switch on B = Tm Cls. 3. Press the "Stop" button to return the time to 0 sec. or to reprogram. 4. Press the "Open" button to add 15 sec. increments, or press the "Close" button to add 1 sec. increments. Max. 4 min. 5. Set the selector switch on T = 4 or TS = 5. 		<ol style="list-style-type: none"> 1. If the TTC and the traffic light is not required, set the selector switch on Run Mode (0, 1, 2, or 3).

Red Light (Flashing Time)

Red Light Programming	Selector Switch	Deactivation
<ol style="list-style-type: none"> 1. Verify if the close limit switch is activated and if the close limit LED is ON. 2. Set the selector switch on 8 = WLF. 3. Press the "Stop" button to return the time to 5 sec. or to reprogram. 4. Press the "Open" button to add 1 sec. increments, or press the "Close" button to deduct 1 sec. increments. Min 0 sec. / Max 15 sec. 5. Set the selector switch on T = 4 or TS = 5. 		<ol style="list-style-type: none"> 1. If the traffic light is not required, set the selector switch on Run Mode (0, 1, 2, or 3).

For further information, please consult the operator's Installation & Instruction Manual or contact our Technical Support Department at **1-800-361-2260**.