



# Red & Green LED Traffic/Stop-Go Dock Light

## TRAFFIC046A/B & 047A/B Installation Instructions

### Components and Specifications

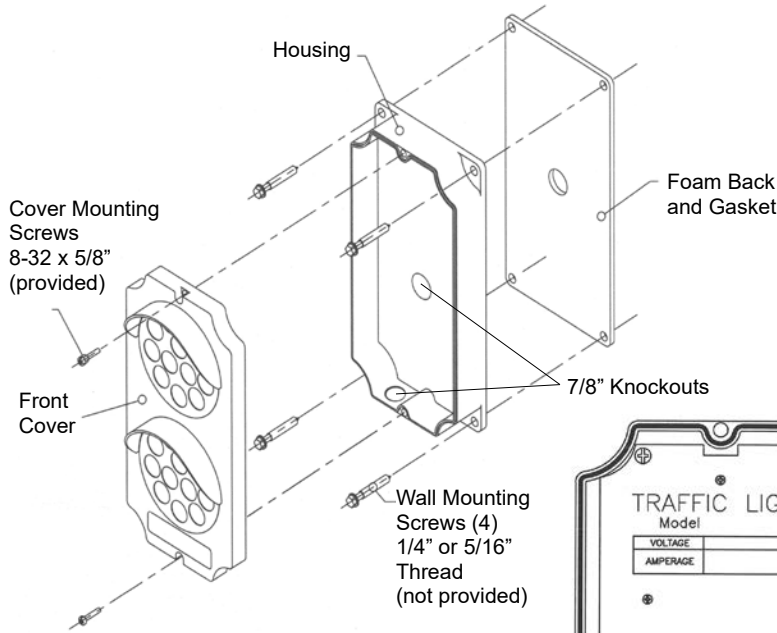


Figure 1: Exploded View

Amperage Consumption
140 mA at 12 VAC/DC
70 mA at 24 VAC/DC
30 mA at 120 VAC

Part #	Color	Input Voltage
TRAFFIC046A	Yellow	120 VAC
TRAFFIC046B	Black	
TRAFFIC047A	Yellow	10-32 VAC/DC
TRAFFIC047B	Black	

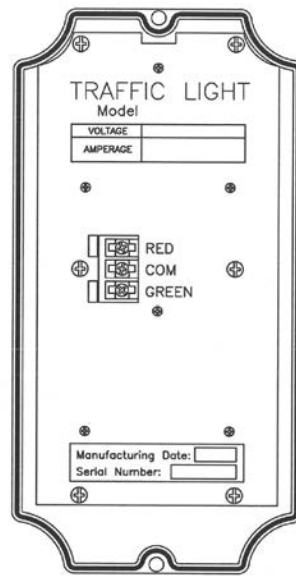


Figure 2: Housing (Back view)

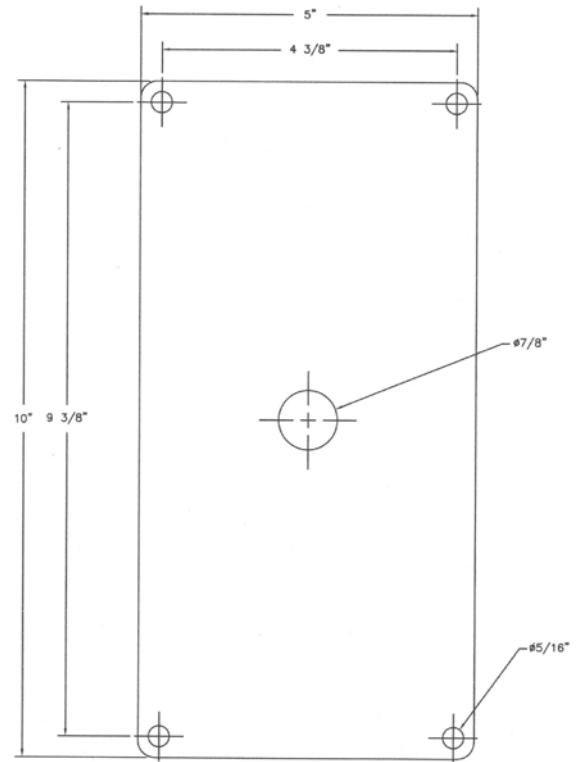


Figure 3: Mounting Hole Dimensions and Positioning

### Installation Instructions

1. Always shut OFF the main power before performing any electrical intervention. Disassemble the front cover from the housing by removing the two (2) cover mounting screws provided (5/8" stainless steel 8-32 thread).
2. In preparation to fasten the enclosure to the wall, install wall anchors that accept thread screws up to 5/16" (not supplied), refer to Figure 1 and Figure 3 as reference.
3. Run and mount conduit (not provided) through or up the wall to meet either the back center or bottom of the housing, and remove the appropriate 7/8" knockout, refer to Figure 1 and Figure 3 as reference. **DO NOT CONNECT CONDUIT OR WIRING THROUGH THE TOP OR THE SIDE OF THE ENCLOSURE.**
4. Mount the rear foam backing gasket and secure the enclosure to the wall using four (4) 1/4" or 5/16" thread stainless steel wall mounting screws (not provided), and connect the conduit to the enclosure using a suitable connector.
5. Run the wiring and then connect it to the clearly marked terminals on the rear of the front cover of the traffic light, refer to Figure 2 and the « Amperage Consumption » table as reference.
6. Fasten the traffic light to the mounted enclosure using the two (2) cover mounting screws provided.

For further information, please consult the operator's Installation & Instruction Manual or contact our Technical Support Department at **1-800-361-2260**.