

ALLEGRO - Brake Release Adjustment

Instructions

WARNING

To reduce the risk of SEVERE INJURY or DEATH to persons:

- Be sure that the main power is OFF before performing any changes on the operator.

NOTICE

- Always return the door to **fully closed position** before performing any maintenance to the brake.
- EXCESSIVELY RELEASING THE BRAKE WHILE THE CHAIN HOIST IS ENGAGED, WILL CAUSE THE GEARS TO STICK. IF THIS OCCURS, WIGGLING THE HAND CHAIN WILL DISENGAGE THE GEARS. REFER TO STEP 1 BELOW TO CONTINUE WITH THE ADJUSTMENT PROCEDURE.

The adjustment of the brake release keeps the operator's brake partially engaged, while releasing the brake slightly to ensure proper operation of the chain hoist. Such a brake adjustment will maintain the door if the hand chain is released.

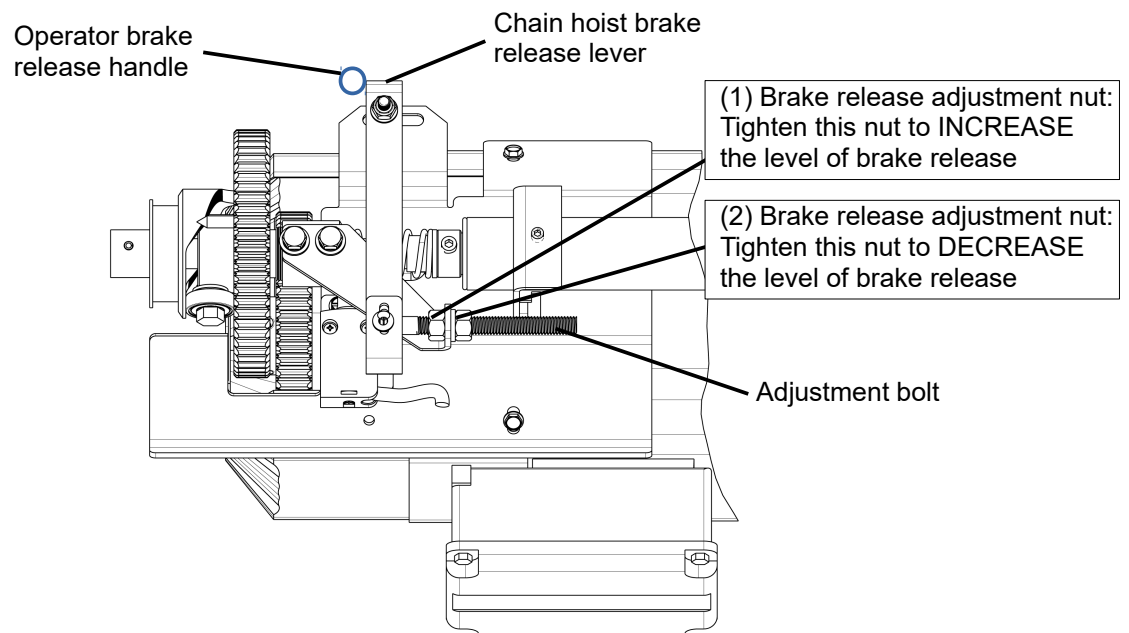


Figure 1 - Brake Release Adjustment

Brake Release Adjustment Procedure

1. Make sure the door is in the fully closed position.
2. Unscrew the brake release adjustment nut toward the gears. Tighten the adjustment nut toward the motor to adjust the brake release so that the brake is **NOT** released when the chain hoist is engaged. Tighten both nuts. **At this point, the chain hoist will NOT be able to move the door.**
3. Unscrew, in small increments, the brake release adjustment nut toward the motor. Slowly tighten the adjustment nut (in small increments) toward the gears until the brake is partially released. **At this point, the door will be difficult to move with the chain hoist.**
4. Repeat step 3 until the door can be moved by the chain hoist. Make sure that the chain hoist releases by itself when the hand chain is released. **Make sure that the brake is only released when the chain hoist is engaged.**
5. Tighten both brake release adjustment nuts.