

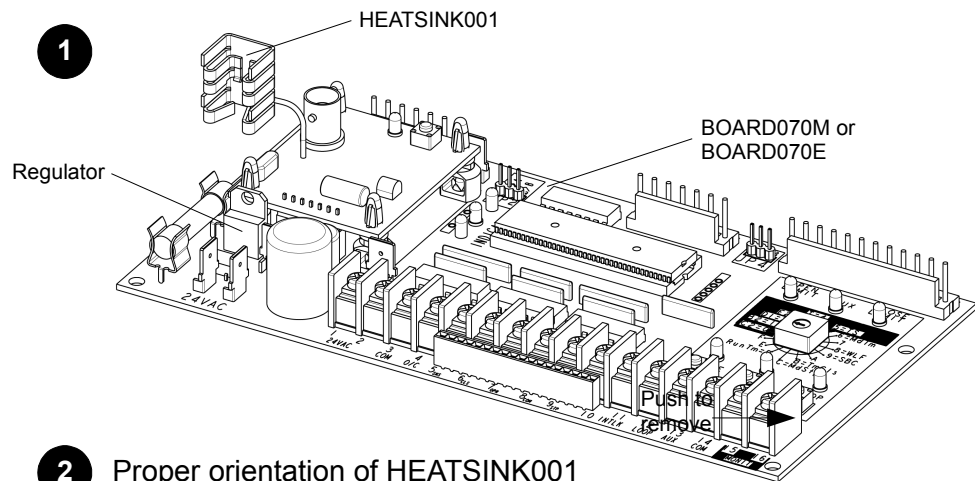
HEATSINK001 & MODKIT012B

Installation Instructions

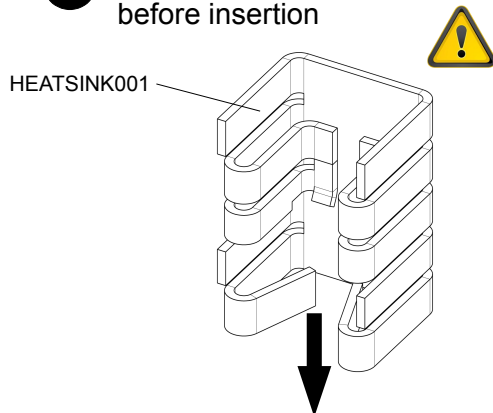
WARNING

To reduce risk of SEVERE INJURY or DEATH to persons:

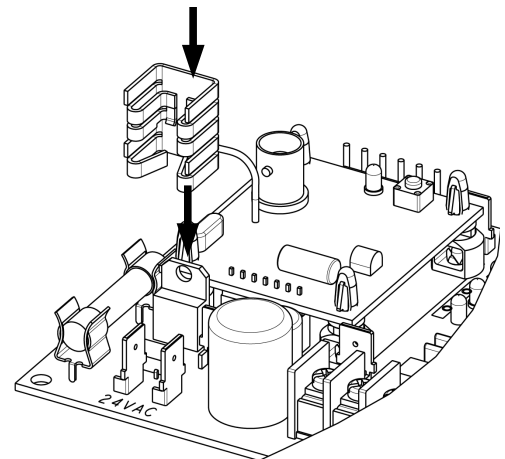
- All electrical wiring should be permanent and should be done by a qualified professional and in accordance to local electrical codes.
- Always shut OFF the main power before performing any electrical intervention.



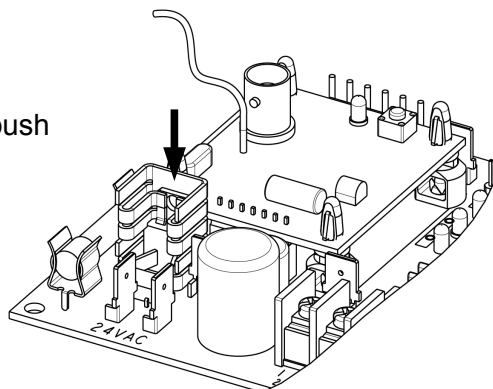
- 2** Proper orientation of HEATSINK001 before insertion



- 3** Align HEATSINK001 with the regulator



- 4** Insert and push



For further information, please consult the operator's Installation & Instruction Manual or contact our Technical Support Department at **1-800-361-2260**.